

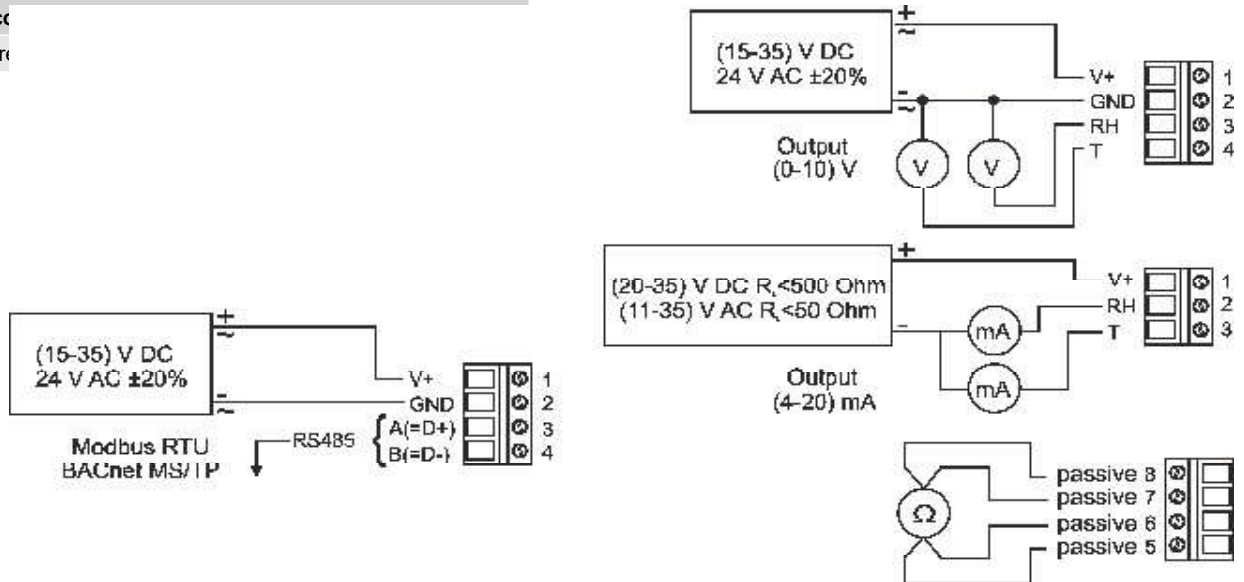
Humidity and temperature transmitter **EE160**

Technical description

Characteristic
– air temperature measurement – relative humidity – mounting: duct, wall
Measuring range
– humidity: (10 ÷ 95) % RH
Accuracy
±2,50%
Output
(0 ÷ 10) V (4 ÷ 20) mA RS485
Power source
24 V AC/DC
Housing
– material: polycarbonate
Operating conditions
– temperature



Wiring diagram



Ordering code

Humidity and temperature transmitter	EE160
Type: humidity and temperature	HT						
Output signal: (0 ÷ 10) V (4 ÷ 20) mA RS485	3x 6x x3						
Temperature sensor: Pt100 DIN A Pt1000 DIN A NTC 10 k Ω Ni1000, TK6180 none	A C E J x						
Mounting: duct wall	PB PA						
Filter: membrane filter						B	
Interface: none BACnet MS/TP RS485/Modbus RTU							no sign BACnet MODBUS RTU

Ordering example

Humidity and temperature transmitter **EE160-3x-A-PB-B**