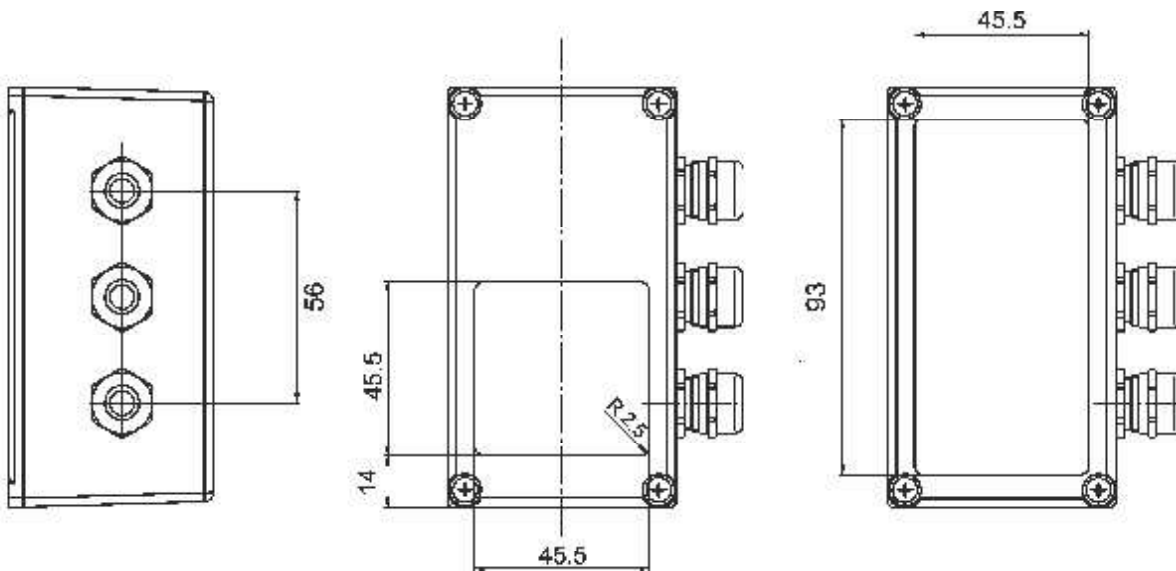


Aluminium case **ZO-1214**

Technical description

Characteristic
– natural color (aluminium)
– trapezoidal housing
– dimension [mm]: 111x60x54
– wall mounting or as sensor head
Application
– ZO-1214/48: for controller LIM N1030
– ZO-1214/96: for controller LIM N1540
Operating conditions
– temperature: (0 ÷ 50) °C
– humidity: (0 ÷ 85) % RH without condensation



Housing ZO-1214/48

Housing ZO-1214/96

Ordering example

Aluminium case ZO-1214/48
 Aluminium case ZO-1214/96