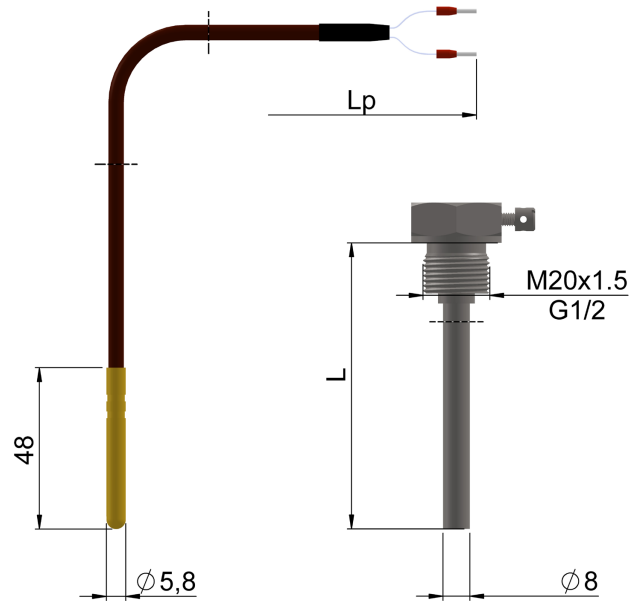


Temperature sensors for heating systems and heat engineering **TOP-172**

**Technical description**

Measuring range / sensing element		
(-50 ÷ 180) °C	<b>Pt100, Pt500</b>	class B
Thermowell		
– material: brass ø5,8x48 mm		
Wire		
– Cu wire: 2, 3, 4x0,22 mm <sup>2</sup> in double silicone insulation		
– length L <sub>p</sub> = 3m (standard)		
Options		
– Pt1000, Ni100, Ni1000		
– 3-, 4-wire connection		
– Pt100: class A (-30 ÷ 180) °C, class AA (0 ÷ 150) °C		
Additional accessories		
– OG process thermowell for sensor mounting into a pipelines material: steel 1.4541, length L [mm]: to order		



Resistors tolerance acc. to PN-EN 60751

Class	Wire wound resistor	
	Range [°C]	Tolerance [°C]
AA	(-50÷250)	±(0,1+0,0017· t )
A	(-100÷450)	±(0,15+0,002· t )
B	(-196÷600)	±(0,3+0,005· t )

Response time T05/T09

Sensor type	ø9	ø11
Pt	≤33/≤95	≤40/≤120

**Ordering code**

Temperature sensor	TOP-172	-	...	-	...	-	...	-	...	-	...
Resistor type	<b>Pt100*</b>										
Resistor class	<b>A, B*</b>										
Measuring circuit	<b>2, 3, 4</b>										
Cable length L <sub>p</sub> [m]	<b>3m*</b>										
Additional accessories: thermowell OG; length L [mm]	<b>50*</b>										
OG thermowell thread dimension	<b>G½; M20x1,5*</b>										

\* or others acc. to requirements

**Ordering example**

**TOP-172-Pt100-A-3-3m** sensor with Pt100, class A, 3-wire connection, lead wire length L<sub>p</sub>= 3m

**TOP-172-Pt500-15m-65-M20x1,5** sensor with Pt500, lead wire length L<sub>p</sub>=15m, with additional process thermowell OG, length L=65 mm, with threaded fastener M20x1,5