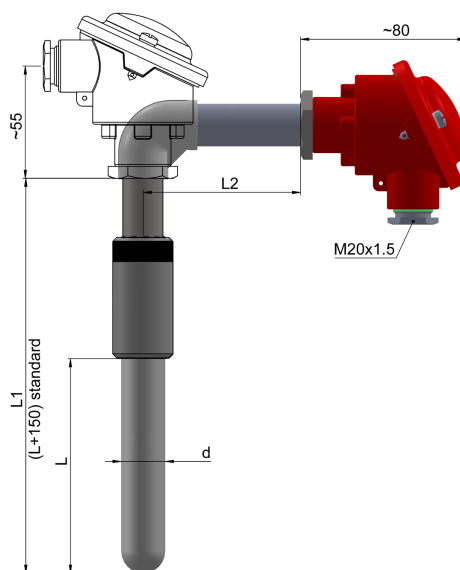


Temperature sensors for aggressive environments TTJC-38, TTKC-38

Technical description

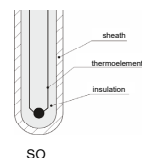
Measuring range / sensing element		
(0 ÷ 700) °C	J	class 2
(0 ÷ 1200) °C	K	class 2
Thermowell		
– material: ceramics SILIT SK		
– diameter d [mm]: ø25		
– length L [mm]: 300, 500, 700, 900, 1100		
– length L ₁ [mm]: L+150 (standard)		
– length L ₂ [mm]: 200÷1000		
– fitting assembly and extension pipe: steel 1.4541		
Connection head		
– BA, IP54, (-40 ÷ 100) °C		
Options		
– thermocouple J, K: class 1		
Additional accessories		
– temperature transmitters – p. 225÷241		
– compensation cables – p. 197		



Tolerance for thermocouples class acc to. PN-EN 60584

Thermocouple	Class 1		Class 2	
	Range [°C]	Tolerance [°C]	Range [°C]	Tolerance [°C]
J Fe-CuNi	(-40÷375) (375÷750)	±1,5 ±0,004 [t]	(-40÷333) (333÷750)	±2,5 ±0,0075 [t]
K, Na NiCr-NiAl	(-40÷375) (375÷1000)	±1,5 ±0,004 [t]	from (-40÷333) (333÷1200)	±2,5 ±0,0075 [t]

Types of measuring hot junction



Ordering code

Temperature sensor	T	...	C-38	-
With transmitter												
Single			T									
Double			2T									
Thermocouple Fe-CuNi												
Thermocouple NiCr-NiAl												
Construction version: straight												
angular												
Immersion length L/L ₁ [mm]												
Extension length L ₂ [mm] (for angular version)												
Thermocouple class												
Type of transmitter												
Setting of transmitter temperature												

* or others acc. to requirements

Ordering example

APTTJC-38-K-500/650-200-2-Tx-(0 ÷ 700) °C single thermocouple sensor Fe-CuNi, class 2, angular, immersion length L=500 mm, Ex standard tension and horizontal pipe 200 mm (500/650-200), with transmitter (4 + 20) mA, temperature range (0 ÷ 700) °C